

# BAUMANN GS 50 - 70

Diesel Drive  
and huge Tyres  
5 - 7 t Load Capacity



CAVAION SIDELOADERS  
**BAUMANN** 

**MODEL****Series GS 50/20 Inch****Series GS 60/20 Inch****Series GS 70/20 Inch****Technical Data**

|                  |   |    |           |                 |           |
|------------------|---|----|-----------|-----------------|-----------|
| Lifting capacity | Q | Kg | 5000      | 6000            | 7000      |
| Load center      | C | mm | 600/700   | 600/700         | 700       |
| Fork length      | l | mm | 1200/1400 | 1200/1400       | 1200/1400 |
| Fork width       | b | mm | 200       | 200             | 200       |
| Fork thickness   | s | mm | 50        | 50/60           | 60        |
| Drive            |   |    | Diesel    | Diesel          | Diesel    |
| Type of steering |   |    |           | hydrostatic     |           |
| Type of tyres    |   |    |           | Pneumatic tyres |           |

**Dimensions**

|                              |    |    |                     |           |                     |
|------------------------------|----|----|---------------------|-----------|---------------------|
| Total length                 | L  | mm | 4980                | 4980      | 4980                |
| Total width                  | B  | mm | 2000/2200           | 2000/2200 | 2070/2270           |
| Overall height mast lowered  | h1 | mm | 2940                | 2940      | 2940                |
| Overall height mast extended | h4 | mm | 4940                | 4940      | 4940                |
| Cabine height                | H  | mm | 3010                | 3010      | 3010                |
| Lift height 1)               | h3 | mm | 4000                | 4000      | 4000                |
| Free lift                    | h2 | mm | 660                 | 660       | 660                 |
| Inclination up/down          |    | °  | 1200±5,37/1400±4,45 |           |                     |
| Platform height 3)           | P  | mm | 1210                | 1210      | 1210                |
| Platform width 2)            | N  | mm | 1200/1400           | 1200/1400 | 1400                |
| Lateral movement             | F  | mm | 1300/1500           | 1300/1500 | 1300/1500           |
| Load spacing max.            | x  | mm | 100                 | 100       | 100                 |
| Framework cut                | E  | mm | 1600                | 1600      | 1630                |
| Fork spacing max.            | d  | mm | 1520                | 1520      | 1520                |
| Turning radius inner         | R  | mm | 785                 | 785       | 785                 |
| Turning radius outer         | W  | mm | 1200=4764/1400=4886 |           | 1200=4825/1400=4934 |
| Aisle width                  | A  | mm | 1200=2358/1400=2548 |           | 1200=2426/1400=2616 |
| Gradeability                 | G  | mm | 1200=4380/1400=4502 |           | 1200=4465/1400=4575 |

**Performance**

|                            |  |      |           |           |           |
|----------------------------|--|------|-----------|-----------|-----------|
| Travel with/without load   |  | Km/h | 25        | 25        | 25        |
| Lifting with/without load  |  | m/s  | 0.35/0.4  | 0.35/0.4  | 0.35/0.4  |
| Lowering with/without load |  | m/s  | 0.38/0.34 | 0.38/0.34 | 0.38/0.34 |
| Traverse with/without load |  | m/s  | 0.36      | 0.36      | 0.36      |
| Tractive power             |  | kN   | 34        | 34        | 34        |
| Gradeability               |  | %    | 21/27%    | 20/27%    | 18/25%    |

**Weights**

|                 |  |    |      |      |       |
|-----------------|--|----|------|------|-------|
| Weight of truck |  | Kg | 9200 | 9500 | 10600 |
| Axle load front |  | Kg | 6900 | 7500 | 8500  |
| Axle load rear  |  | Kg | 7400 | 8100 | 9150  |

**Chassis**

|                        |           |        |                     |              |                     |
|------------------------|-----------|--------|---------------------|--------------|---------------------|
| Tyres front/rear       |           |        | 2/2                 | 2/2          | 2/2                 |
| Tyres size front/rear  |           | Inches | 10.00-20            | 10.00-20     | 10.00-20            |
| Tyres outside diameter |           | mm     | 1070                | 1070         | 1070                |
| Wheel base             | Y         | mm     | 3130                | 3130         | 3130                |
| Track front            | Sp1       | mm     | 1200=1640/1400=1840 |              | 1200=1640/1400=1840 |
| Track rear             | Sp2       | mm     | 1200=1670/1400=1870 |              | 1200=1670/1400=1870 |
| Ground clearance       |           | mm     | 240                 | 240          | 240                 |
| Service brake          | hydraulic |        |                     | Front        |                     |
| Parking brake          | hydraulic |        |                     | Drive Wheels |                     |

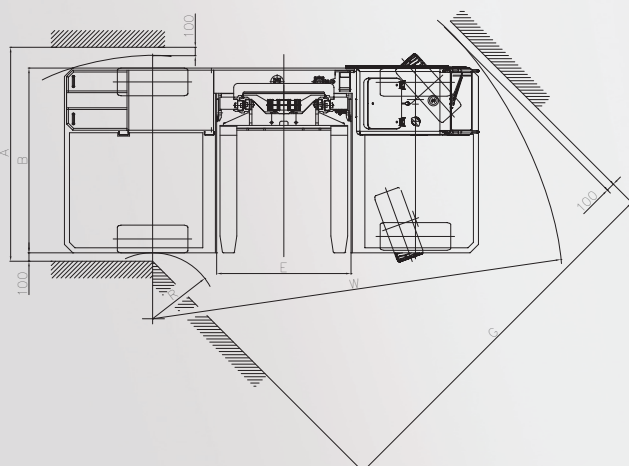
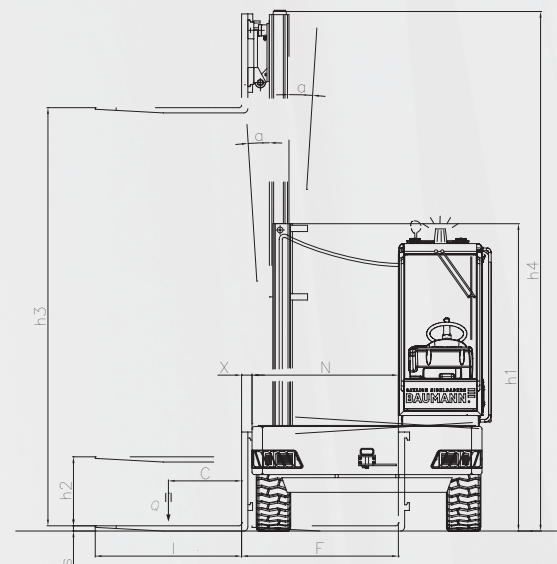
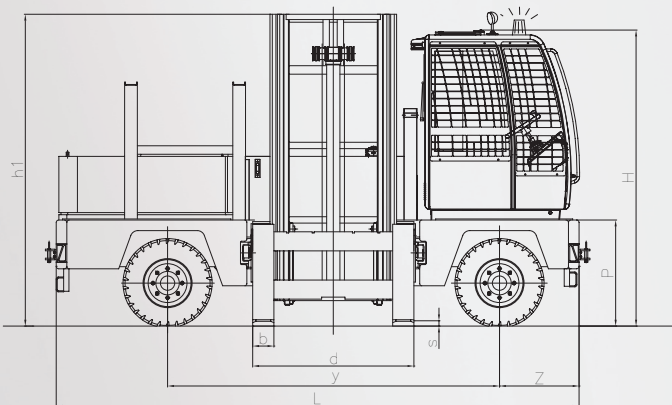
**Drive**

|                            |  |                   |                   |                   |                       |
|----------------------------|--|-------------------|-------------------|-------------------|-----------------------|
| Diesel engine manufacturer |  |                   | Perkins           | Perkins           | Perkins               |
| Type 1104D-44 T            |  | KW                | 1104D-E44 63.5 kW | 1104D-E44 63.5 kW | 1104D-E44T-HP 74.5 kW |
| Power                      |  | PS                | 86.5              | 86.5              | 101                   |
| Speed                      |  | n/min             | 2200              | 2200              | 2200                  |
| Cylinder/displacement      |  | x/cm <sup>3</sup> | 4/4400            | 4/4400            | 4/4400                |
| Transmission               |  |                   |                   | Forward/Reverse   |                       |
| Gearbox                    |  |                   |                   | hydrostatic       |                       |
| Battery                    |  | V/Ah              | 1x185Ah 1200A 12V | 1x185Ah 1200A 12V | 1x185Ah 1200A 12V     |

# BAUMANN GS 50 - 70

Stability and performance – two characteristics of this model range. The truck with the engine on deck allows a number of engine variations and best service access. All components are adjusted to each other to guarantee a reliable operation.

| GS 50 - 60                             | Lift Height | Lowered | Extended | Free Lift | GS 70 | Lift Height | Lowered | Extended | Freelift |
|--|-------------|---------|----------|-----------|-------|-------------|---------|----------|----------|
|  | h3 mm       | h1 mm   | h4 mm    | h2 mm     |       | h3 mm       | h1 mm   | h4 mm    | h2 mm    |
| <b>Duplex-Standard-mast ST</b>         | 3300        | 2590    | 4240     | 660       |       | 3300        | 2270    | 4370     | 920      |
|  | 4000        | 2940    | 4940     | 660       |       | 4000        | 3070    | 5070     | 920      |
|  | 4500        | 3190    | 5440     | 660       |       | 4500        | 3320    | 5570     | 920      |
|  | 5000        | 3440    | 5940     | 660       |       | 5000        | 3570    | 6070     | 920      |
|  | 5500        | 3590    | 6440     | 660       |       | 5500        | 3820    | 6570     | 920      |
|  | 6000        | 3940    | 6940     | 660       |       | 6000        | 4070    | 7070     | 920      |
|  | 6500        | 4190    | 7440     | 660       |       | 6500        | 4320    | 7570     | 920      |
| <b>Duplex-Special-Freeliftmast SFH</b> | 3300        | 2590    | 4240     | 1615      |       | 3300        | 2720    | 4370     | 1615     |
|  | 4000        | 2940    | 4940     | 1965      |       | 4000        | 3070    | 5070     | 1965     |
|  | 4500        | 3190    | 5440     | 2215      |       | 4500        | 3320    | 5570     | 2215     |
|  | 5000        | 3440    | 5940     | 2465      |       | 5000        | 3570    | 6070     | 2465     |
|  | 5500        | 3590    | 6440     | 2715      |       | 5500        | 3820    | 6570     | 2715     |
|  | 6000        | 3940    | 6940     | 2965      |       | 6000        | 4070    | 7070     | 2965     |
|  | 6500        | 4190    | 7440     | 3215      |       | 6500        | 4320    | 7570     | 3215     |
| <b>Triplex-Freeliftmast TR</b>         | 4500        | 2440    | 5440     | 1465      |       | 4500        | 2570    | 5570     | 1465     |
|  | 5100        | 2640    | 6040     | 1665      |       | 5100        | 2770    | 6170     | 1665     |
|  | 5400        | 2740    | 6340     | 1765      |       | 5400        | 2870    | 6470     | 1765     |
|  | 5700        | 2840    | 6640     | 1865      |       | 5700        | 2970    | 6770     | 1865     |
|  | 6000        | 2940    | 6940     | 1965      |       | 6000        | 3070    | 7070     | 1965     |
|  | 6300        | 3040    | 7240     | 2065      |       | 6300        | 3170    | 7370     | 2065     |
|  | 6600        | 3140    | 7540     | 2165      |       | 6600        | 3270    | 7670     | 2165     |
|  | 6900        | 3240    | 7840     | 2265      |       | 6900        | 3370    | 7970     | 2265     |
|  | 7200        | 3340    | 8140     | 2365      |       | 7200        | 3470    | 8270     | 2365     |
|  | 7500        | 3440    | 8440     | 2465      |       | 7500        | 3570    | 8570     | 2465     |



## BAUMANN SIDELOADERS

### THE ORIGINAL SIDELOADER FROM CAVAION

For over 40 years, the BAUMANN name has been synonymous with production of high quality, high specification sideloaders. The Company adopts a policy of continuous improvement and embraces new technology as and when it comes available to the benefit of our customers and distribution partners. The extended BAUMANN network



of distributors and service partners have been specifically selected for their professionalism and adoption of the consultative approach taken centrally by the BAUMANN Company.



CAVAION SIDELOADERS  
**BAUMANN** 

BAUMANN S.r.l.  
I-37010 CAVAION (Verona)  
Via Palesega, 1  
Telephone +39 045 6 20 53 11  
Fax +39 045 6 20 53 55  
info@baumann-online.it  
www.baumann-online.it