

BAUMANN GS 50 - 70

Diesel Drive

5 - 7 t Load Capacity



CAVAION SIDELOADERS
BAUMANN 

TYPE	Serie GS 50		Serie GS 60		Serie GS 70	
------	-------------	--	-------------	--	-------------	--

Technical Data

Lifting capacity	Q	Kg	5000	6000	7000
Load centre	C	mm	600/700	600/700	700
Fork length	l	mm	1200/1400	1200/1400	1200/1400
Fork width	b	mm	200	200	200
Fork thickness	s	mm	50	50/60	60
Drive			Diesel	Diesel	Diesel
Type of steering			Hydrostatic		
Type of tyres			Pneumatic tyres		

Dimensions

Total length	L	mm	4930	4930	4930
Total width	B	mm	2000/2200	2000/2200	2070/2270
Overall height mast lowered	h1	mm	2940	2940	3070
Overall height mast extended	h4	mm	4940	4940	5070
Cabine height	H	mm	2800	2800	2800
Lift height	h3	mm	4000	4000	4000
Free lift	h2	mm	660	660	920
Tilting up/down		°	1200±4,36/1400±3,61		
Platform height	P	mm	1000	1000	1000
Platform width	N	mm	1200/1400	1200/1400	1400
Lateral movement	F	mm	1300/1500	1300/1500	1300/1500
Load spacing max.	x	mm	100	100	100
Framework cut	E	mm	1600	1600	1630
Fork spacing max.	d	mm	1520	1520	1520
Turning radius inner	R	mm	785	785	750
Turning radius outer	W	mm	1200=4764/1400=4886		1200=4825/1400=4934
Aisle width	A	mm	1200=2358/1400=2548		1200=2426/1400=2616
Aisle width for 90° Turning	G	mm	1200=4380/1400=4502		1200=4465/1400=4575

Performance

Travel with/without load		Km/h	25	25	25
Lifting with/without load		m/s	0.35/0.40	0.35/0.40	0.35/0.40
Lowering with/without load		m/s	0.38/0.34	0.38/0.34	0.38/0.34
Traverse with/without load		m/s	0.36	0.36	0.36
Tractive power		kN	42	42	42
Gradeability		%	20/27	20/27	20/27

Weights

Weight of truck		Kg	9200	9500	10600
Axle load front		Kg	6900	7500	8500
Axle load rear		Kg	7400	8100	9150

Chassis

Tyres front/rear			2/2	2/2	2/2
Tyres size front/rear		Inch	300-15	300-15	355/65-15
Tyres outside diameter		mm	840	840	843
Wheel base	Y	mm	3130	3130	3130
Track front	Sp1	mm	1200=1640/1400=1840		1200=1640/1400=1840
Track rear	Sp2	mm	1200=1670/1400=1870		1200=1670/1400=1870
Ground clearance		mm	240	240	240
Service brake	hydraulic		4 wheels		
Parking brake	hydraulic		Rear		

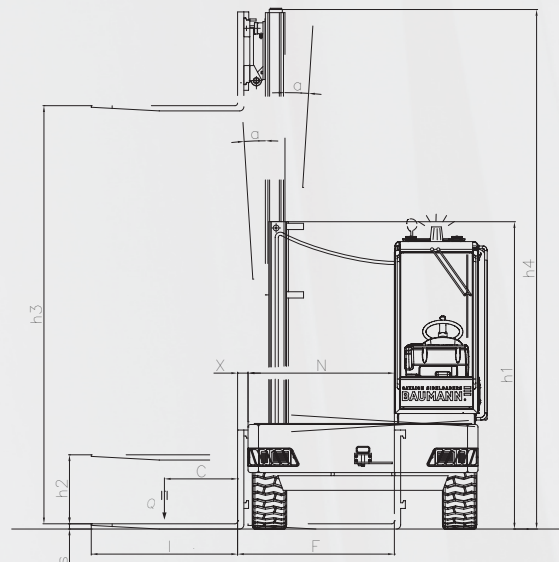
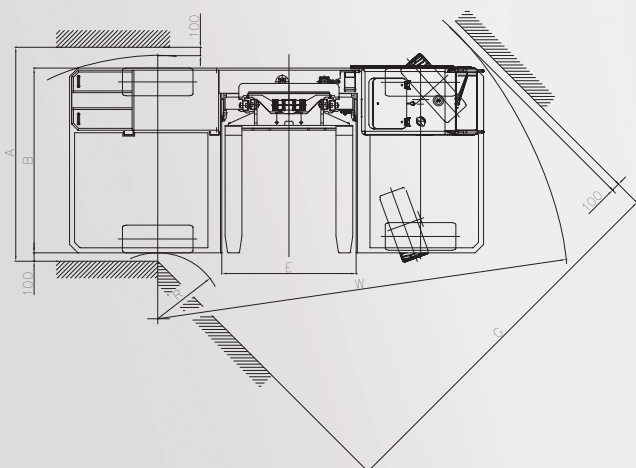
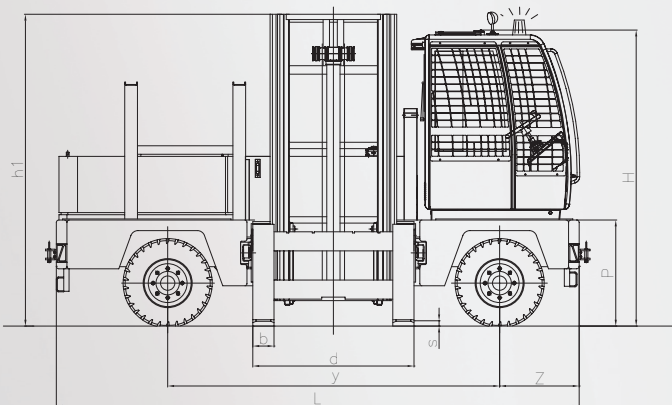
Drive

Diesel engine manufacturer			Perkins	Perkins	Perkins
Type		KW	1104D-E44 63.5 kW	1104D-E44 63.5 kW	1104D-E44T-HP 74.5 kW
Power		HP	86.5	86.5	101
Speed		n/min	2200	2200	2200
Cylinder/displacement		x/cm ³	4/4400	4/4400	4/4400
Transmission			Forward/Reverse		
Gearbox			Hydrostatic		
Battery		V/Ah	1x185Ah 1200A 12V	1x185Ah 1200A 12V	1x185Ah 1200A 12V

BAUMANN GS 50 - 70

Stability and performance – two characteristics of this model range. The truck with the engine on deck allows a number of engine variations and best service access. All components are adjusted to each other to guarantee a reliable operation.

GS 50 - 60	Lift Height	Lowered	Extended	Free Lift	GS 70	Lift Height	Lowered	Extended	Freelift
	h3 mm	h1 mm	h4 mm	h2 mm		h3 mm	h1 mm	h4 mm	h2 mm
Duplex-Standard-mast ST	3300	2590	4240	660		3300	2720	4370	920
	4000	2940	4940	660		4000	3070	5070	920
	4500	3190	5440	660		4500	3320	5570	920
	5000	3440	5940	660		5000	3570	6070	920
	5500	3590	6440	660		5500	3820	6570	920
	6000	3940	6940	660		6000	4070	7070	920
	6500	4190	7440	660		6500	4320	7570	920
Duplex-Special-Freeliftmast SFH	3300	2590	4240	1615		3300	2720	4370	1615
	4000	2940	4940	1965		4000	3070	5070	1965
	4500	3190	5440	2215		4500	3320	5570	2215
	5000	3440	5940	2465		5000	3570	6070	2465
	5500	3590	6440	2715		5500	3820	6570	2715
	6000	3940	6940	2965		6000	4070	7070	2965
	6500	4190	7440	3215		6500	4320	7570	3215
Triplex-Freeliftmast TR	4500	2440	5440	1465		4500	2570	5570	1465
	5100	2640	6040	1665		5100	2770	6170	1665
	5400	2740	6340	1765		5400	2870	6470	1765
	5700	2840	6640	1865		5700	2970	6770	1865
	6000	2940	6940	1965		6000	3070	7070	1965
	6300	3040	7240	2065		6300	3170	7370	2065
	6600	3140	7540	2165		6600	3270	7670	2165
	6900	3240	7840	2265		6900	3370	7970	2265
	7200	3340	8140	2365		7200	3470	8270	2365
	7500	3440	8440	2465		7500	3570	8570	2465



BAUMANN SIDELOADERS

THE ORIGINAL SIDELOADER FROM CAVAION

For over 40 years, the BAUMANN name has been synonymous with production of high quality, high specification sideloaders. The Company adopts a policy of continuous improvement and embraces new technology as and when it comes available to the benefit of our customers and distribution partners. The extended BAUMANN network



of distributors and service partners have been specifically selected for their professionalism and adoption of the consultative approach taken centrally by the BAUMANN Company.



CAVAION SIDELOADERS
BAUMANN 

BAUMANN S.r.l.
I-37010 CAVAION (Verona)
Via Palesega, 1
Telephone +39 045 6 20 53 11
Fax +39 045 6 20 53 55
info@baumann-online.it
www.baumann-online.it