

# BAUMANN EHX 30 - 50

Electro Drive

AC-Technology

3 - 5 t Load

Capacity



CAVAION SIDELOADERS  
**BAUMANN** 

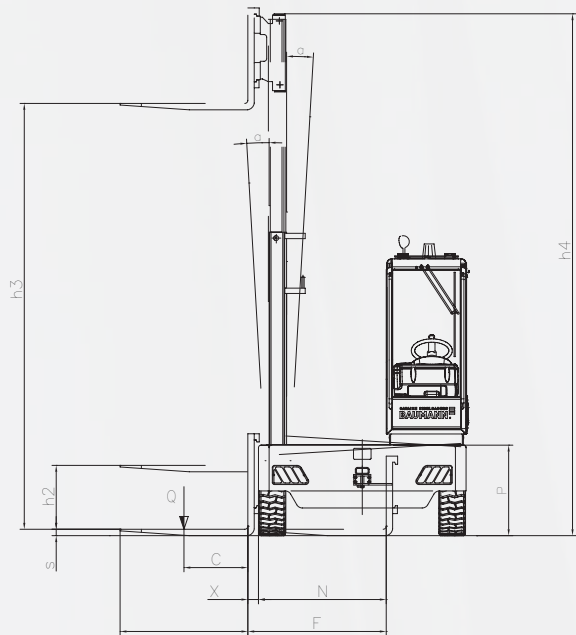
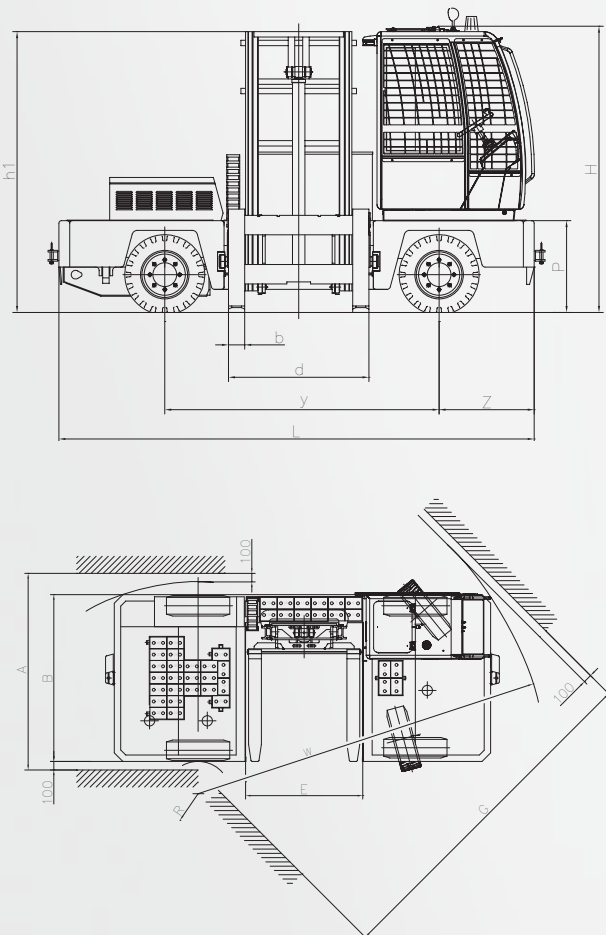
TYPE	Serie EHX 30		Serie EHX 40		Serie EHX 50
------	--------------	--	--------------	--	--------------

Technical Data						
Lifting capacity	Q	Kg	3000		4000	5000
Load centre	C	mm	600/700		600/700	600/700
Fork length	l	mm	1200/1400		1200/1400	1200/1400
Fork width	b	mm	150		150	200
Fork thickness	s	mm	50		50	50
Drive			Electro		Electro	Electro
Type of steering			Hydrostatic			
Type of tyres			Pneumatic tyres			
Dimensions						
Total length	L	mm	4100		4100	4400
Total width	B	mm	1950/2150		1950/2150	1950/2150
Overall height mast lowered	h1	mm	2850		2850	2850
Overall height mast extended	h4	mm	4880		4880	4880
Cabine height	H	mm	2450		2450	2630
Lift height	h3	mm	4000		4000	4000
Free lift	h2	mm	600		600	600
Tilting up/down		°	1200+4.5-3.5/1400+3.5-3.0			1200±3.45/1400±2.83
Platform height	P	mm	855		855	880
Platform width	N	mm	1200/1400		1200/1400	1200/1400
Lateral movement	F	mm	1300/1500		1300/1500	1300/1500
Load spacing max.	x	mm	100		100	100
Framework cut	E	mm	1370		1370	1370
Fork spacing max.	d	mm	1300		1300	1300
Turning radius inner	R	mm	386		386	365
Turning radius outer	W	mm	1200=3892/1400=4016			1200=4156/1400=4272
Aisle width	A	mm	1200=2301/1400=2498			1200=2312/1400=2500
Aisle width for 90° Turning	G	mm	1200=3790/1400=3913			1200=4069/1400=4185
Performance						
Travel with/without load		Km/h	15/18		15/18	15/18
Lifting with/without load		m/s	0.34/0.45		0.34/0.45	0.32/0.43
Lowering with/without load		m/s	0.39/0.35		0.39/0.35	0.38/0.34
Traverse with/without load		m/s	0.28		0.28	0.25
Tractive power		kN	17		17	22
Gradeability		%	15		14	15
Weights						
Weight of truck		Kg	6500		7500	8500
Axle load front		Kg	4600		5500	6500
Axle load rear		Kg	4950		6000	7050
Chassis						
Tyres front/rear			2/2		2/2	2/2
Tyres size front/rear		Inch	27 x 10-12		27 x 10-12	250-15
Tyres outside diameter		mm	690		690	735
Wheel base	Y	mm	2520		2520	2540
Track front	Sp1	mm	1200=1615/1400=1815			1200=1625/1400=1825
Track rear	Sp2	mm	1200=1635/1400=1835			1200=1645/1400=1845
Ground clearance	below rear axle	mm	120		120	120
	below mast	mm	200		200	200
Service brake	hydraulic		Front			
Parking brake	hydraulic		Drive Wheels			
Drive						
Battery type	EPZS	80V	6EPzS	7EPzS	6EPzS	7EPzS
Battery capacity		A	690	805	690	805
Drive motor	Number		2 x 7.5 kW		2 x 7.5 kW	
Gear changing	Switch	Hand	Hand		Hand	Hand
Gear levels	Fw/Rv		Direct			
Controller	Mosfet	Inverter	AC		AC	AC
Lift motor			17 kW		17 kW	22 kW S2 30min

# BAUMANN EHX 30 - 50

No emission, very low noise, an environmentfriendly alternative.  
Performance as a dieseltruck at less service costs.

<b>EHX 30 - 50</b>	<b>Lift height</b> h3 mm	<b>Lowered</b> h1 mm	<b>Extended</b> h4 mm	<b>Free lift</b> h2 mm
<b>Duplex-standardmast ST</b>	3300	2500	4180	600
	4000	2850	4880	600
	4500	3100	5380	600
	5000	3350	5880	600
	5500	3600	6380	600
	6000	3850	6880	600
<b>Duplex-special free lift mast SFH</b>	3300	2500	4180	1620
	4000	2850	4880	1970
	4500	3100	5380	2220
	5000	3350	5880	2470
	5500	3600	6380	2720
	6000	3850	6880	2970
<b>Triplex-free lift mast TR</b>	4500	2350	5380	1470
	5100	2550	5980	1670
	5400	2650	6280	1770
	5700	2750	6580	1870
	6000	2850	6880	1970
	6300	2950	7180	2070
	6600	3050	7480	2170
	6900	3150	7780	2270
	7200	3250	8080	2370



## BAUMANN SIDELOADERS

### THE ORIGINAL SIDELOADER FROM CAVAION

For over 40 years, the BAUMANN name has been synonymous with production of high quality, high specification sideloaders. The Company adopts a policy of continuous improvement and embraces new technology as and when it comes available to the benefit of our customers and distribution partners. The extended BAUMANN network



of distributors and service partners have been specifically selected for their professionalism and adoption of the consultative approach taken centrally by the BAUMANN Company.



CAVAION SIDELOADERS  
**BAUMANN** 

BAUMANN S.r.l.  
I-37010 CAVAION (Verona)  
Via Palesega, 1  
Telephone +39 045 6 20 53 11  
Fax +39 045 6 20 53 55  
info@baumann-online.it  
www.baumann-online.it